

Dear Vanguard Customers,

We are revising the Vanguard MK-1 and Ultra to comply with NFPA 1971, 2018 edition. With this new edition will be a new way measurement for sizing.

Sizes available:

- 64N
- 70N
- 70W
- 76N
- 76W
- 82N
- 82W

The first number is the measurement of the firefighter’s index finger. The second part of the size, the letter, comes from the width of the firefighters hand across the knuckles. Please see the below diagram and chart from NFPA 1971-2018, Protective Ensembles for Structural Fire Fighting and Proximity Fire Fighting, for how to size the firefighter’s hand.

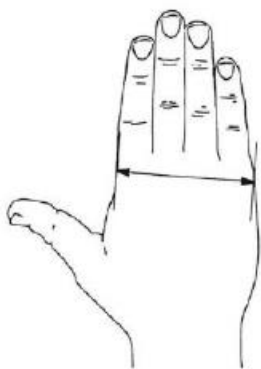


FIGURE 6.7.5(b) Measurement Location for Hand Breadth.

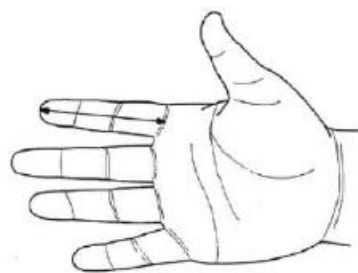
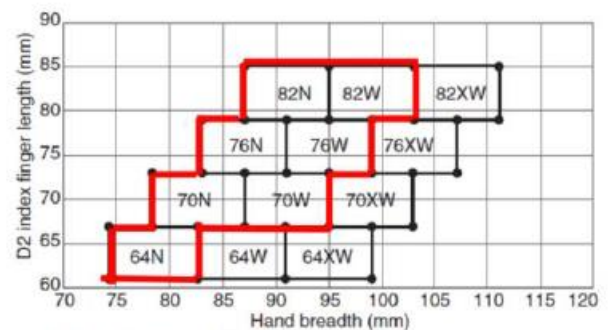


FIGURE 6.7.5(a) Measurement Location for Index Finger Length.



For U.S. units, 1 mm = 0.394 in.

FIGURE 6.7.6.1 NFPA 1971 Size Definitions.